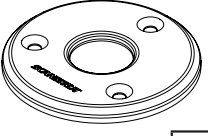
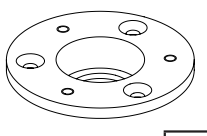

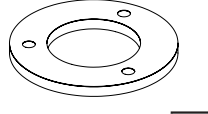




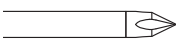
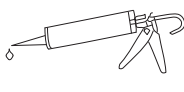
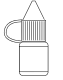


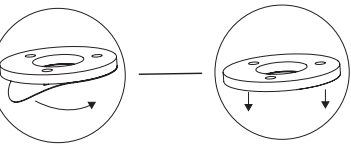
Parts List

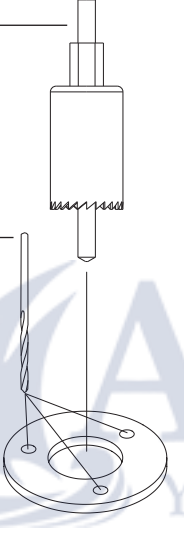
		
Top x1	Base x1	Bungs x4
		
Gasket x1	No.6 x 19mm Screw x3	M4 x 6mm Countersunk Bolt x3

Tools Required

		
ø2.5mm (3/32") ø3mm (1/18") Drill Bit	ø32mm (1 1/4") Hole Saw/Drill Bit	Pozi Screwdriver
		
Silicone	Optional: Thread Lock	

① 32mm (1 1/4")

② 

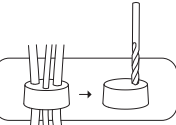
③ 

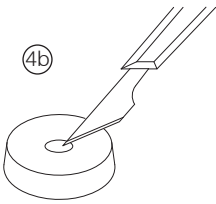
Suggested pilot holes


Material	Drill	Fixing
Soft Material e.g. plywood	2.5mm (3/32")	No.6 Screw (Included)
Hard Material e.g. fiberglass, hardwoods, acrylics	3mm (1/8")	
Metal e.g. Steel, aluminium	4mm (5/32")	Recommended >12mm x M4 Countersunk Bolt with washer and Nyloc (Not included)

④ Choose bung closest to cable ø.

DE - Wähle Dichtung nahe dem Kabel ø.
 IT - Scegliere il passafili adatto al ø del cavo.
 ES - Elija el tapón con el diámetro más parecido al cable.
 FR - Choisissez le joint le plus proche du diamètre du câble.

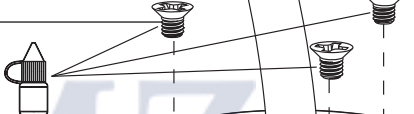
④a 

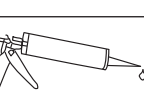
④b 

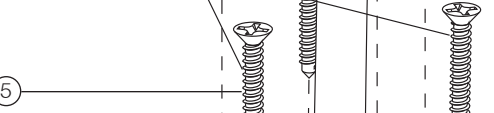
→ Ø =  + 1.5mm

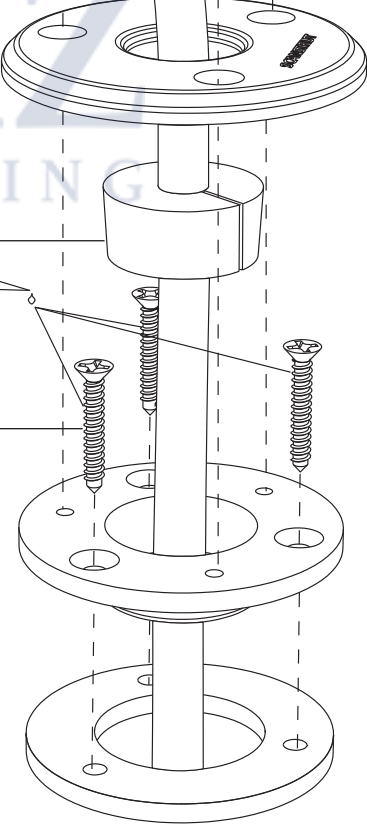
3.5mm (MIN)
(0.14")

ø MAX 14mm (0.55")
ø MIN 2mm (0.07")

⑦ 

⑥ 

⑤ 

⑦ 

UK & International
 +44 (0)1392531280
 sales@scanstrut.com

For further installation
 and warranty information
 please visit:
 www.scanstrut.com

USA
 +1 860 308 1416
 usasales@scanstrut.com

SCANSTRUT®